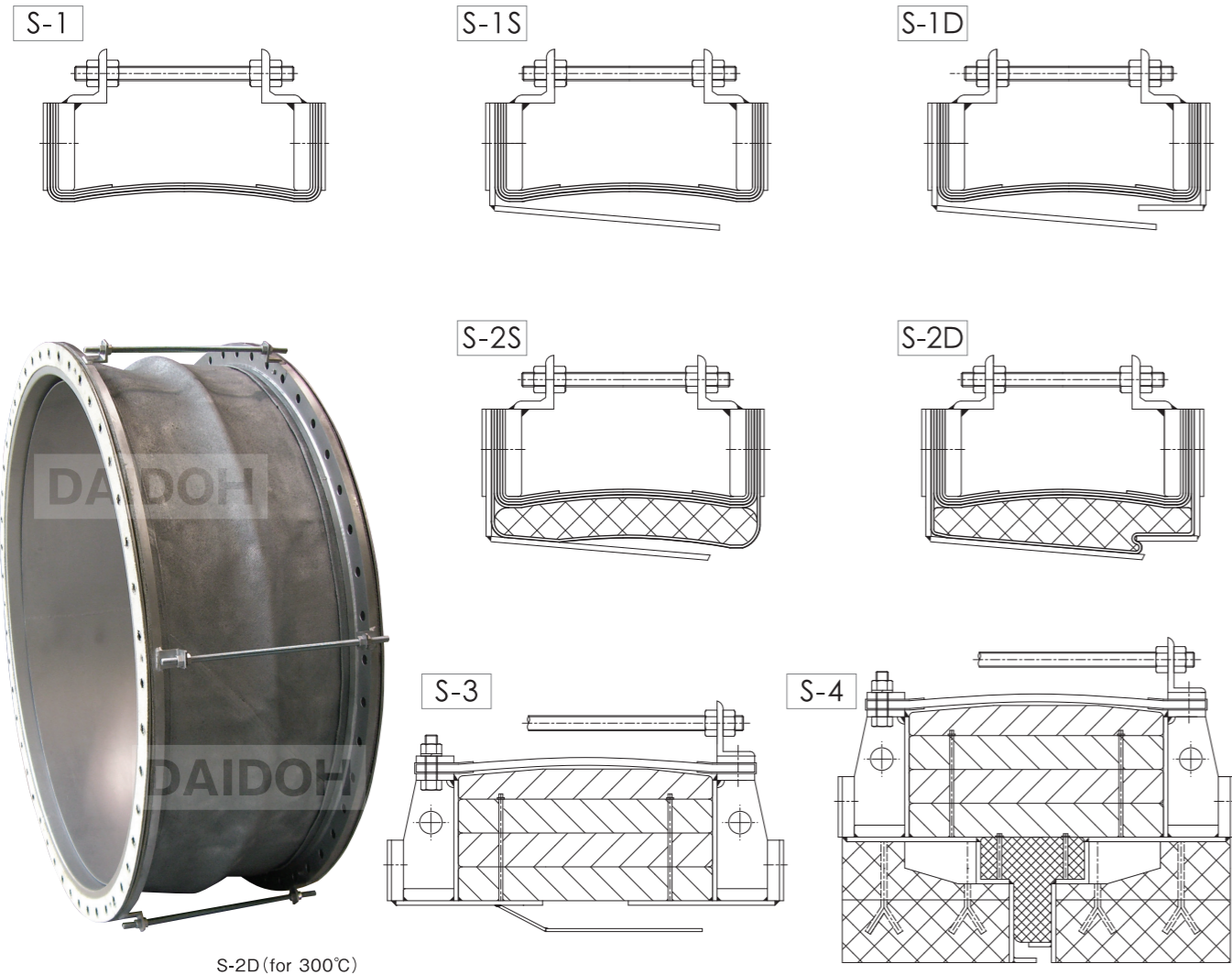


### DC-S series

The DC-S series include products with straight structures. Effective for absorbing heat displacement and gaps among devices that occur in various pipes as main purposes



S-2D (for 300°C)

### Basic structure of the DC-S series

(We create products for specific operating conditions. We produce products for outside of the design conditions. Please contact us for detail.)

Type	Temperature	Pressure	Flow resistance
S-1	250°C or below	+15000~-5000mmAq (below 100°C)	25m/s (below 100°C)
		±5000mmAq(100°C and over)	20m/s (100°C and over)
S-1S	250°C or below	±5000mmAq	30m/s
S-1D	250°C or below	±5000mmAq	50m/s
S-2S	400°C or below	±5000mmAq	30m/s
S-2D	400°C or below	±5000mmAq	50m/s
S-3	700°C or below	±5000mmAq	50m/s
S-4	1000°C or below	±5000mmAq	50m/s

CAD drawings are prepared when necessary.

### Product introduction



**S-1S**  
(I.D.2700φ for 100°C)

**S-2D** Special type  
(For 400°C)



**S-4**  
(For 850°C)